

Children In History

Model Sheets

'Steaming Sally'

(A nineteenth century Australian riverboat)

What you will need:

thin cardboard (large cereal packets are ideal)
skewers
scissors or sharp blade (or craft knife)...adult supervision required!
glue stick and PVA glue
coloured textas or pencils
paper clips, pegs, rubber bands, blu-tack (for clamping and holding parts in position) hole punch

How to make 'Steaming Sally':

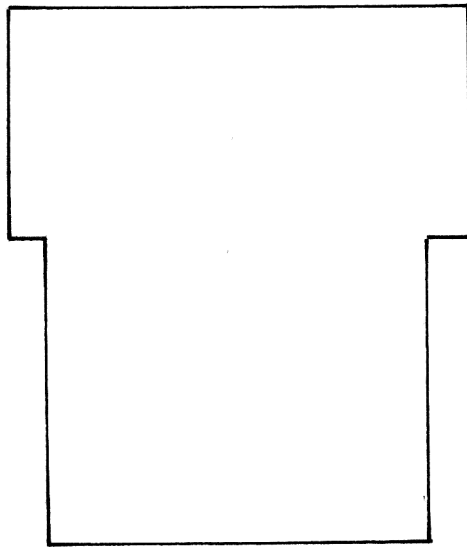
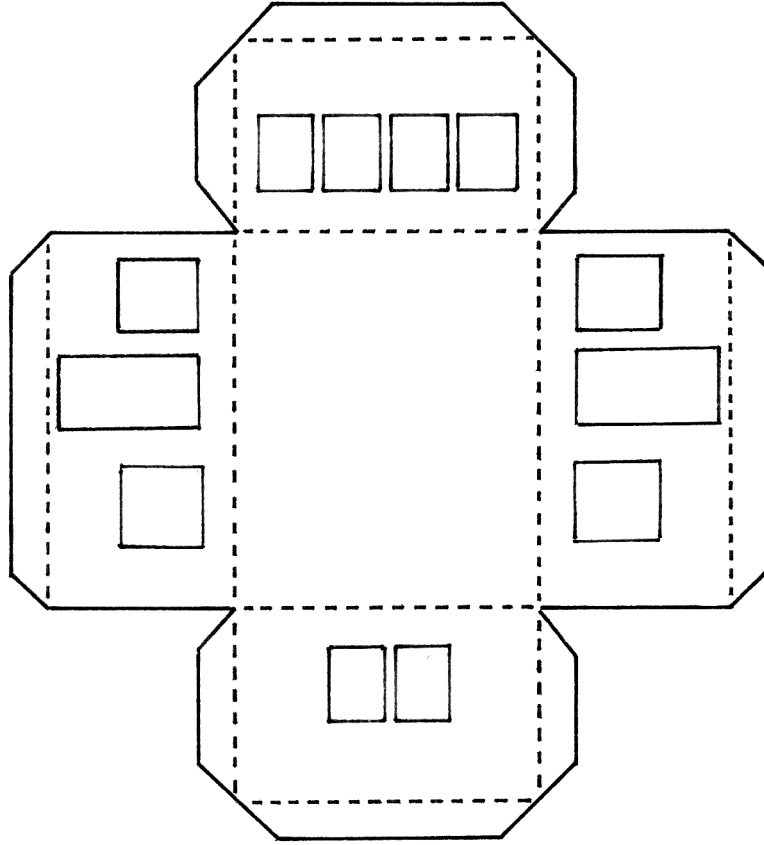
1. Take the 'plans' of the riverboat (already photocopied) and glue them to sheets of cardboard, using a glue stick.
2. When dry, cut out the shapes very carefully with a pair of scissors or a blade (adult supervision required for a blade). Cut out the windows and doors, or colour them black.
3. Colour the parts before assembling them. Use textas or pencils, because paint will tend to crinkle the paper and cause it to lift from the cardboard.
4. Gently score (produce a *shallow* groove) along the dotted lines with a blade. Fold along the dotted lines.
5. Assemble the base of the riverboat first. Use paper clips or pegs to hold it in place while the glue is drying.
6. Assemble the top decks individually. Glue them to the deck.
7. Use a small hole punch to make holes in the housings and wheel discs.
8. Assemble the paddles in concertina fashion. Glue the inside ends together and then each individual paddle. This should leave a small hole in the middle, through which a skewer axle can be passed.

Children In History

- 9.** Assemble the paddle wheel housings. Insert the paddle wheel into the housing, along with the wheel disc, then pass the skewer axle through the housings and the discs.
- 10.** Place a dab of glue on the outside of the axles to hold them in place. When dry, glue them to the deck, making sure the wheel turns freely.
- 11.** Glue the funnel to the top deck.
- 12.** Design and add extra pieces, such as a rudder, lifeboats and people (as desired)

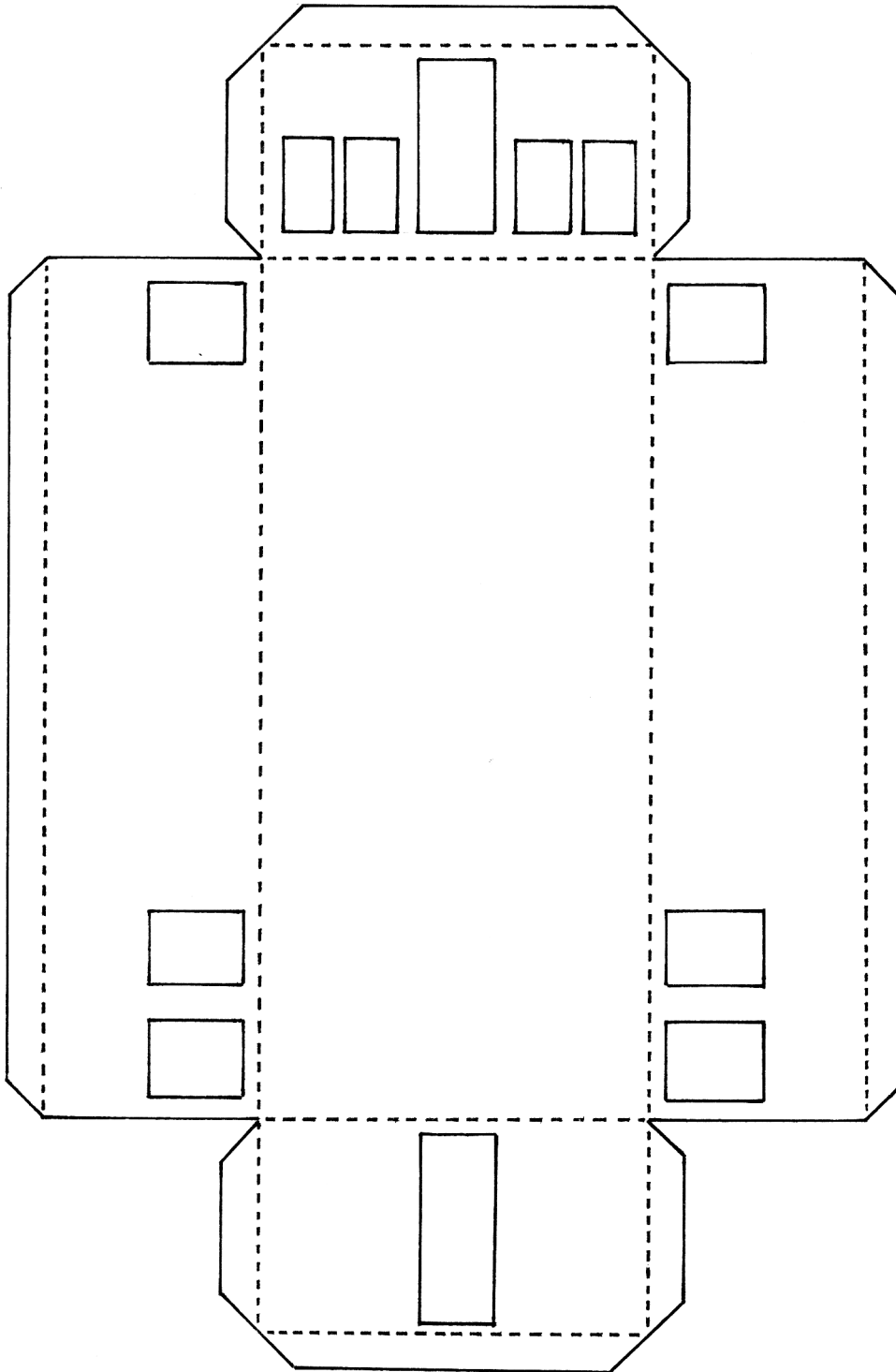
Suggestion: Build up the model in stages, allowing parts to dry before going on to the next stage. Trim overlapping parts with a knife or scissors.

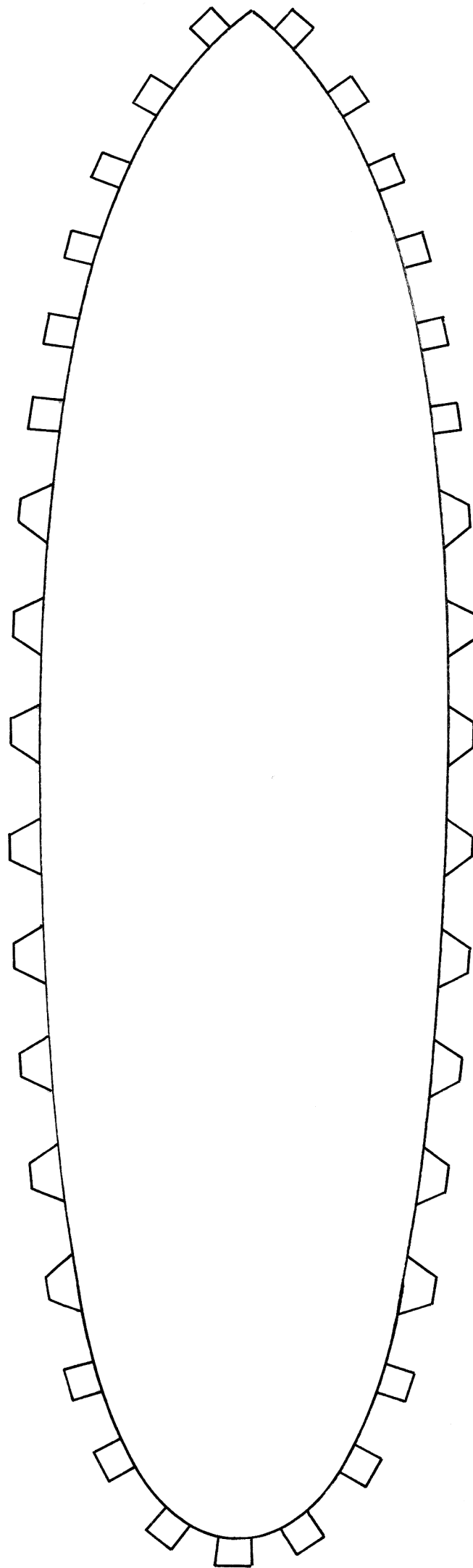
Front top deck

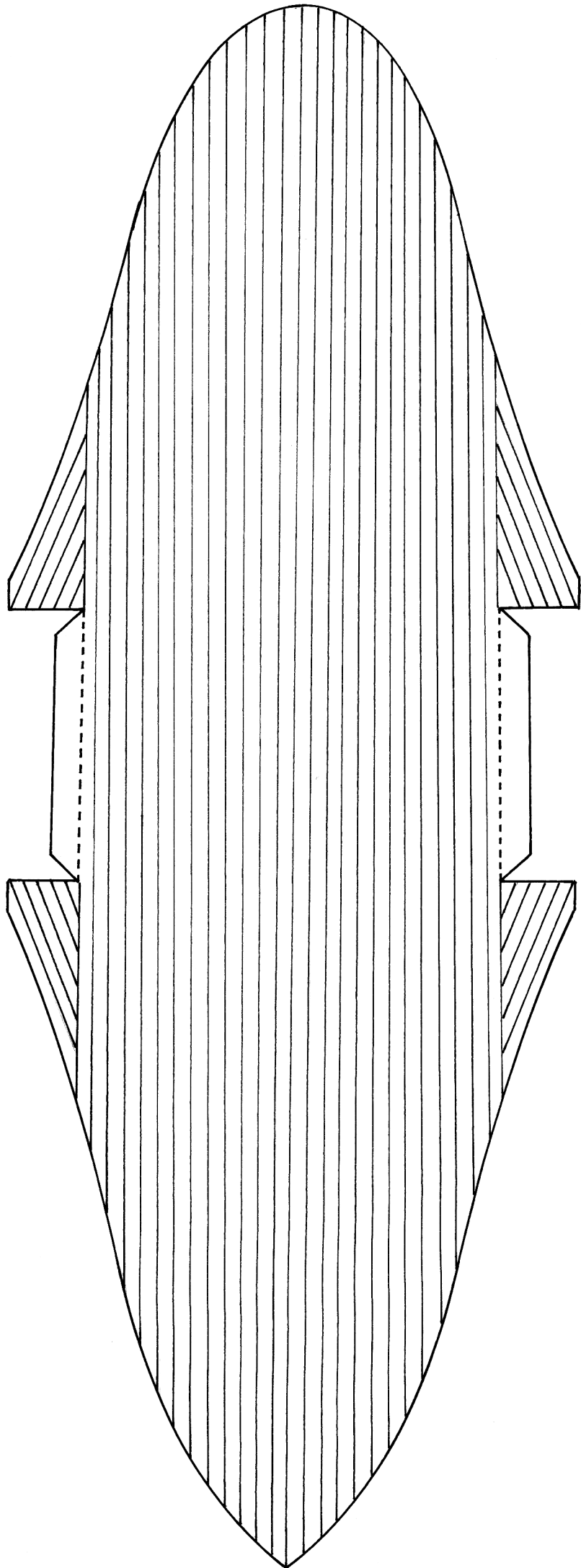


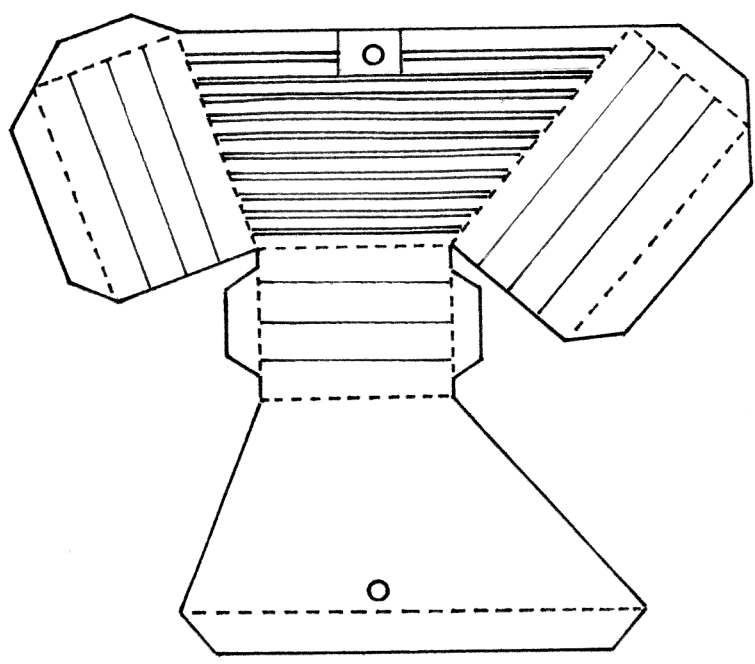
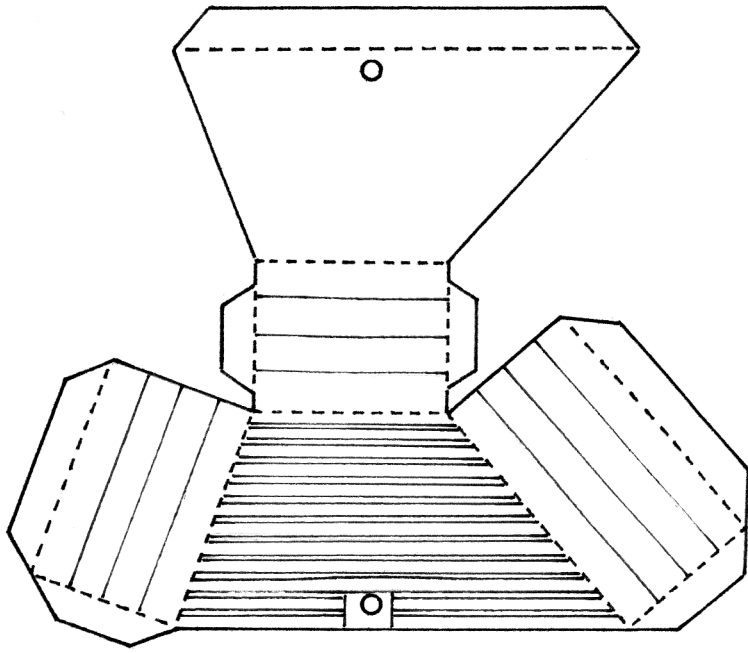
Lower deck

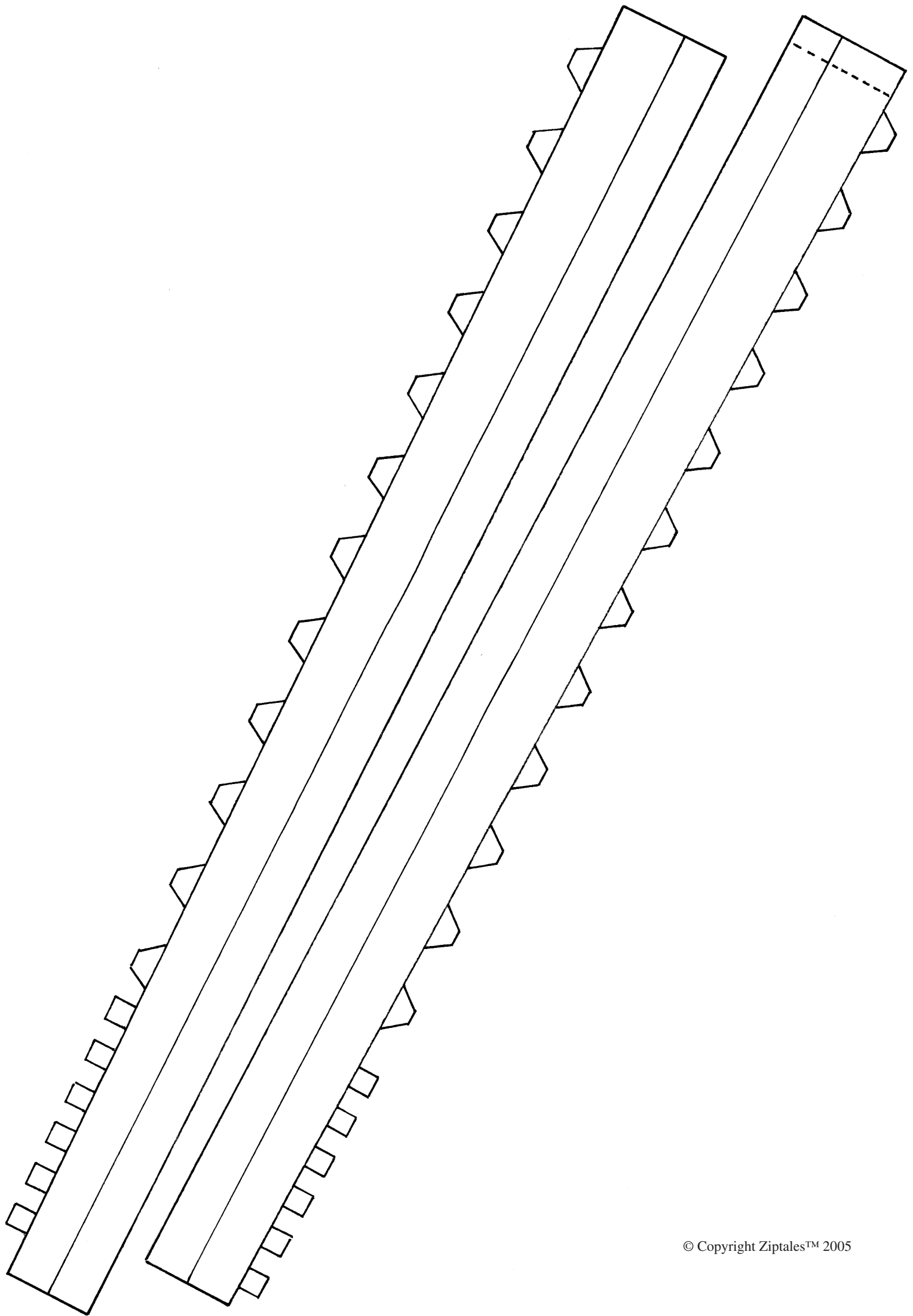
Front





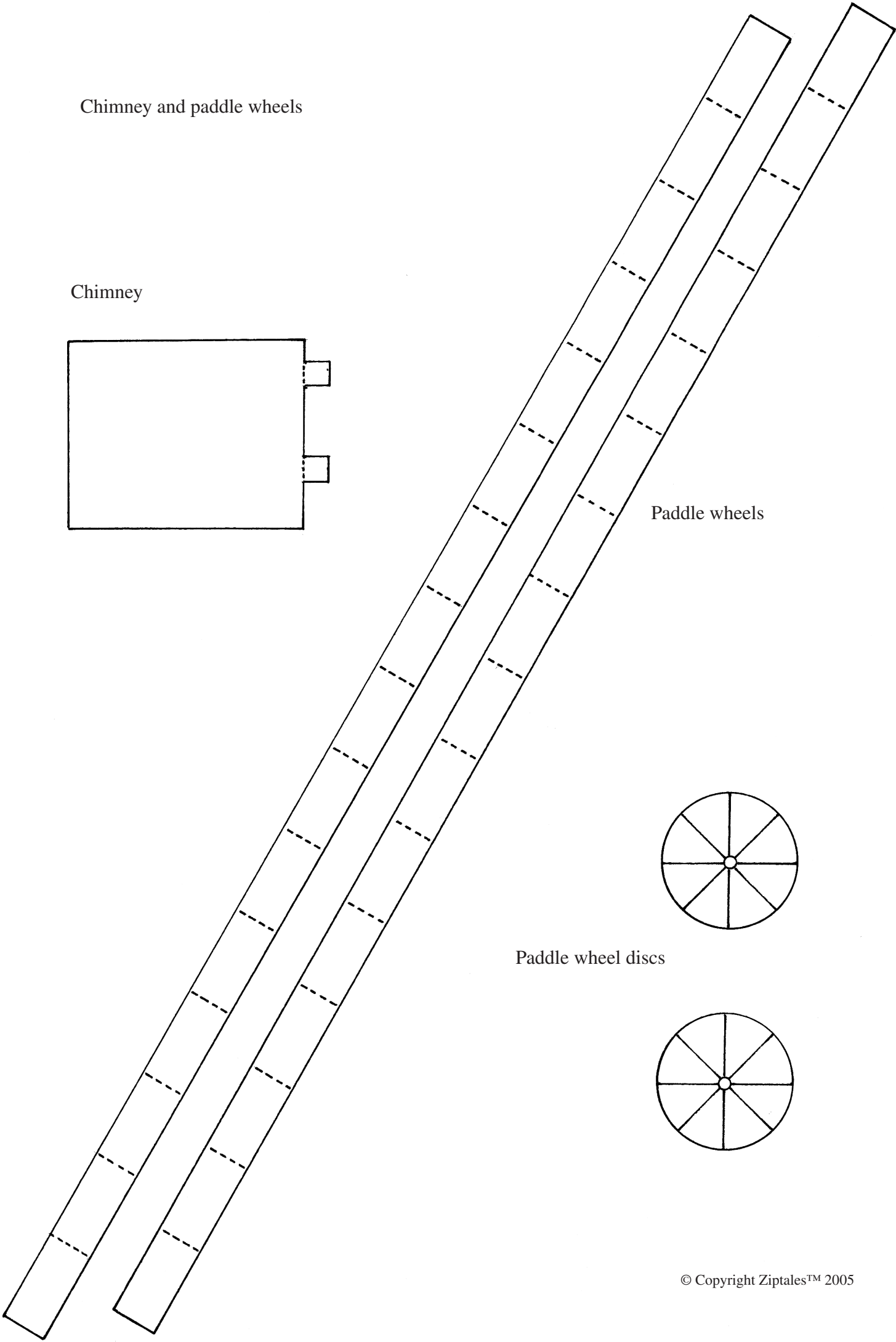
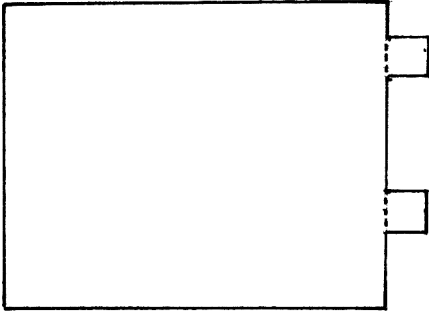




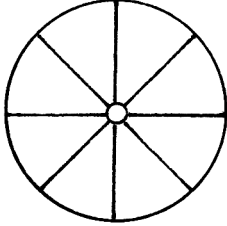


Chimney and paddle wheels

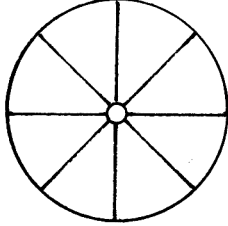
Chimney



Paddle wheels



Paddle wheel discs



Roof of lower deck

